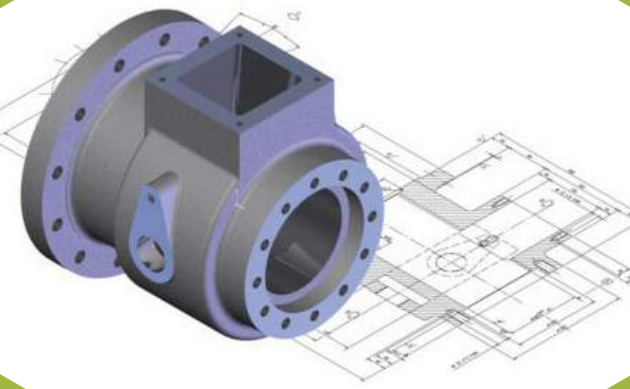


# CAD / CAM / CAE Services



**Parikh Info Solutions Pvt. Ltd.**

[www.parikhinfosolutions.com](http://www.parikhinfosolutions.com)



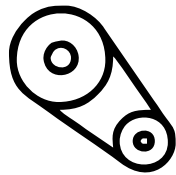
# About Us

Established in 1998, PISPL has built a reputed name in the market. Our highly experienced and trained team ensures the highest quality and the fastest turnaround for all our projects. We mainly work in the field of Translation, Localization, CAD Design, Architectural modelling and GIS services. Our team works tirelessly for both smaller or bigger projects as for us every client is highly appreciated. We look forward to establishing a long term mutually beneficial business relationship with your esteemed organization.

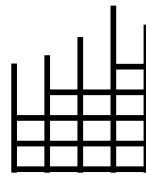
## Our Verticals:



Architectural



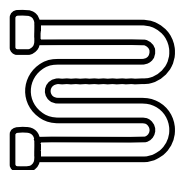
Mechanical



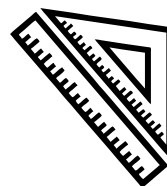
Structural



Electrical



Piping



General

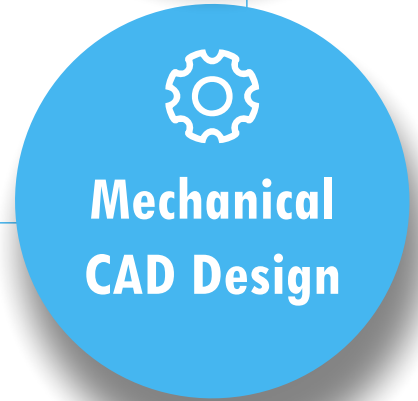
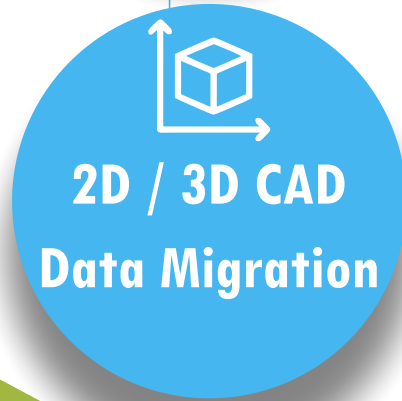


# Parikh Info Solutions Pvt. Ltd.

CAD-CAE-GIS-LOCALIZATION

## Our Esteemed Clients





## Why Hire Us

- ✓ Leading CAD Software
- ✓ 99.99% Accuracy
- ✓ Heads Up Digitization
- ✓ Fast Turnaround
- ✓ Confidentiality of Your Content
- ✓ Data Consistency
- ✓ Competitive Rates

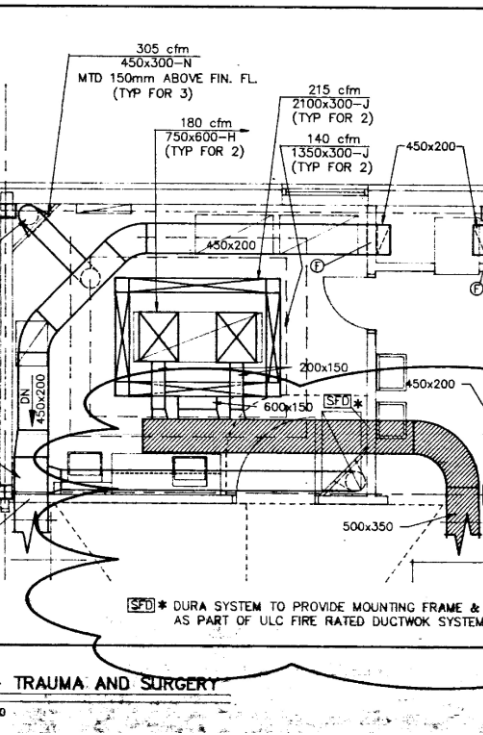


# CAD Conversion

We convert any drawing format be that PDF, legacy documents, scanned drawing into CAD files such DWG to PDF, DWG to TIFF or JPG format for distribution, manufacturing or publishing. We make sure while conversion all your original data remains intact and no detail is lost in the conversion. We also repair any damaged documents in the process if necessary. We use heads-up digitization for the highest quality CAD files. We convert raster files to accurate CAD files. After conversion your files will be easily convertible and accessible in all the leading CAD software. Our trained team uses international standards to achieve the best quality.

Before

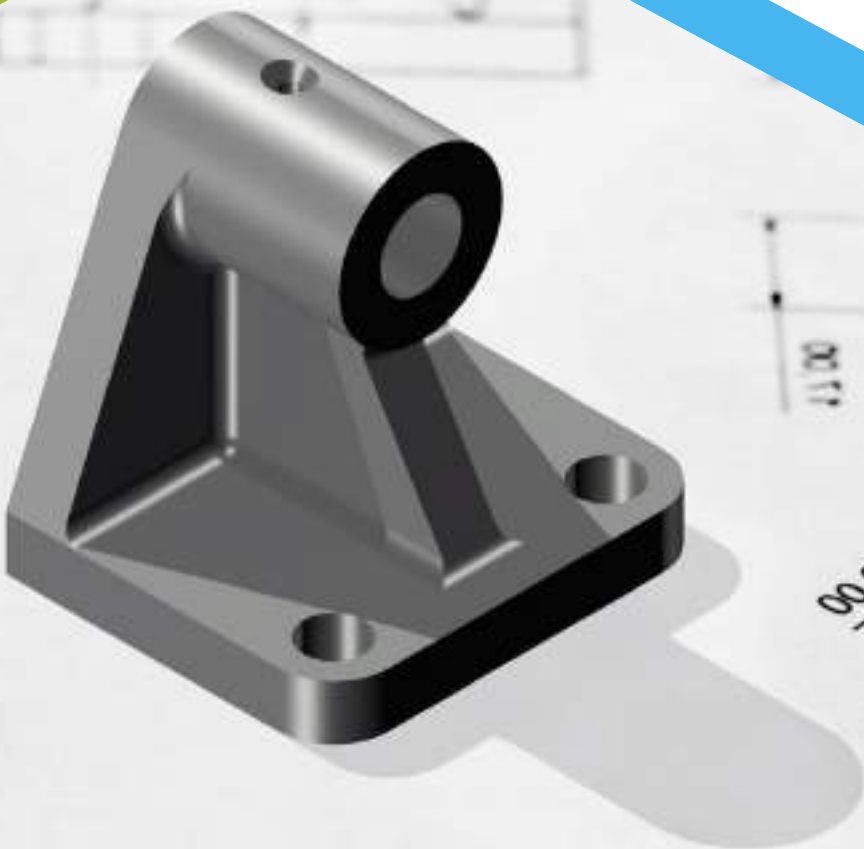
After





# 2D to 3D CAD Conversion

For your 2D to 3D conversion needs look no further, PISPL is the answer! Send your 2D drawings online to us and we will deliver high quality three-dimensional drawing using latest CAD tools and technologies. We also deliver 2D drawings if you outsource your 3D models. We measure the actual component with precision to make 2D or 3D drawings. Once we build 3D models we also make general assembly in 3D, so you can visualize how the product is built. We also provide 3D sectional drawings for technical presentations.







# 2D / 3D CAD Data Migration

We, at PISPL help you achieve uniformity in your CAD files by migrating them between many leading software. We specialize in translating both native and neutral CAD file formats. We offer services that eliminate the error while importing and exporting large files from software. For simulation-based projects we also offer Mesh file conversion. Our team undertakes CAD data translation to form FFO and AO to simplify complex models used for designing. We provide batch translation to provide a more rigid solution for your large legacy files. We heal the models as per your need when exporting across software this includes complete re-modelling and recreation.





# Mechanical CAD Design

Our team of engineers works tirelessly to reduce the gap between concept and reality. PISPL's mechanical CAD Design Services supplement your resources so that you can concentrate on the concepts. You may not always have a CAD Designer at your fingertips and hence we provide you with top notch CAD Design Services. From these designs we can rapid prototype a component saving cost due to the manual prototyping. Our engineers have more than 5 years of rich experience and are well versed with the latest CAD tools. PISPL is your trusted partner for design solutions. We offer a flexible rate structure according to the complexity of your project.

## Our Services widely include:

Part Drawing

Sheet Metal

Machine Drawing

Conceptual Design

Structural Layout

Isometric Expanded  
View

HVAC Layout

Mold Design

Fabrication Drawing

Assembly Drawing

Bill of Material (BOM)

General Arrangement  
Drawing





[sales@parikhinfosolutions.com](mailto:sales@parikhinfosolutions.com)



+91 8879661881



[/ParikhInfoSolutions](https://www.facebook.com/ParikhInfoSolutions)



[/in/amittparikh](https://www.linkedin.com/in/amittparikh)



[parikhinfosolutions](https://www.instagram.com/parikhinfosolutions)



[amitt.parikh](https://www.snapchat.com/add/amitt.parikh)



509, Ghanshyam Enclave, Lalji Pada,  
Kandivali (W), Mumbai 400067 ,India.



**Parikh Info Solutions Pvt. Ltd.**

[www.parikhinfosolutions.com](http://www.parikhinfosolutions.com)